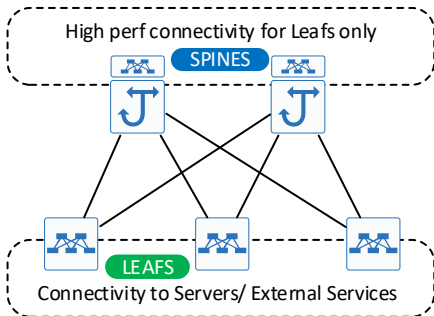
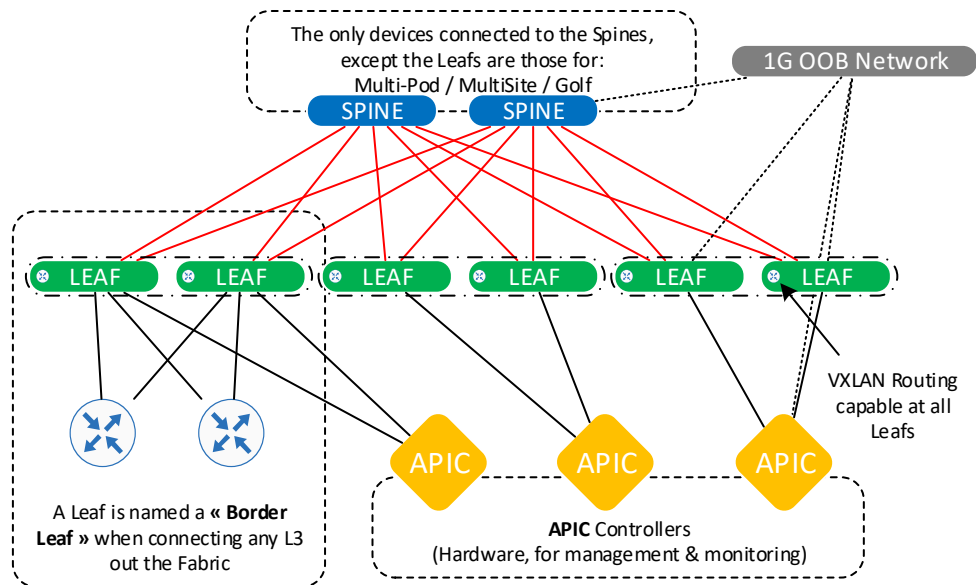


CLOS Architecture



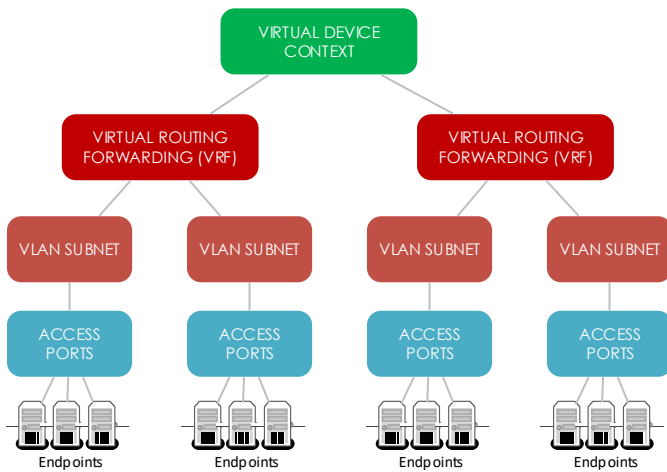
- Low Latency
- Predictability (max 2 hops between endpoints)
- Horizontal scale

ACI Physical components

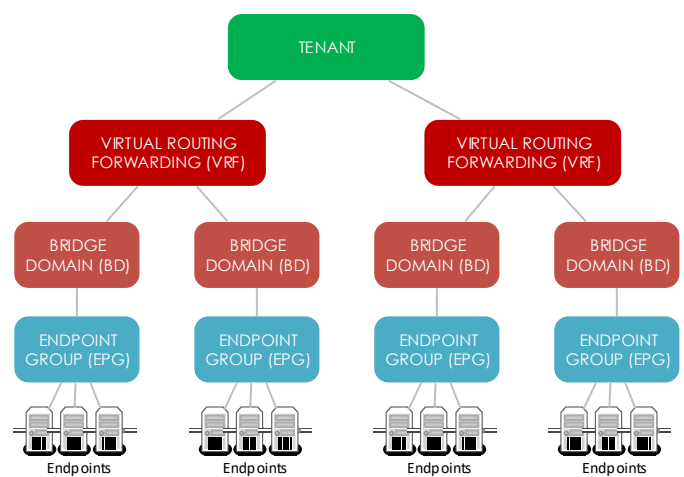


Policy model comparison

Legacy



ACI



Definitions

EP (endpoint)	A device connect to the ACI fabric (MAC + IP).
EPG (Endpoint Group)	A group of endpoints, belonging to the same Bridge domain, and sharing the same network and security policies.
BD (Bridge Domain)	Where the IP subnets are located, it can owns many subnets. Defines if they are announced externally or not. Defines the BUM traffic behavior.
L3out (Layer 3 Outside)	Routing outside the VRF (static, dynamic).
VRF	Virtual Routing Forwarding
Tenant	An organizaion container.
Contract	White list of protocols/ports to be allowed.

ACI Objects relationship

